



### Heavy duty telescopic lip dock leveler

The ASSA ABLOY DL6021T Teledock is heavy duty telescopic lip dock leveler with a load capacity of 100 kN and 150 kN. The ASSA ABLOY DL6021T Teledock is suitable for every loading situation – regardless of its complexity. The main advantage compared to other levelers is the movable telescopic lip which can be precisely positioned on the vehicle bed, thus giving optimal load utilisation of the whole vehicle bed area.

The ASSA ABLOY DL6021T Teledock provides a larger contact area between vehicle bed and dock leveler for optimal and safe positioning on the vehicle bed.

The ASSA ABLOY DL6021T Teledock:

- Preventive maintenance is easy and fast to secure functionality and avoid downtimes.
- Robust and reliable construction to guarantee high performance during the tough handling of high loads.
- Special durable design of the telescopic lip.

#### ASSA ABLOY 950 series - the intelligent, all in one, docking control system

The innovative and unique 950 series docking control system gives you direct control of the dock leveler, dock shelter and door all in one control unit. With only a few self explaining buttons it is easy to operate, to meet the demands of modern logistics. Separate steering units or complex wiring are no longer needed.

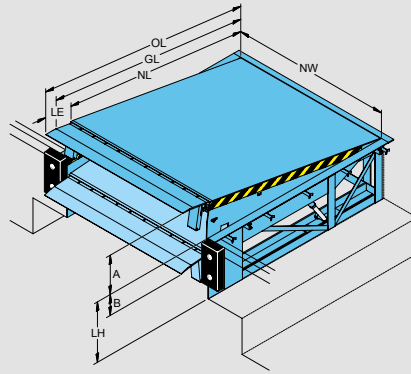
#### ASSA ABLOY DE6090DI Dock-IN

ASSA ABLOY Dock-IN is the world's first combined solution with parking guide and traffic lights in one system. ASSA ABLOY Dock-IN ensures a safe and secure dock in procedure with the help of white guiding lights and red traffic lights. There is no need to paint and repaint guiding lines on the asphalt or install conventional steel parking guides, which are an obstacle in the yard. With modern LED technology ASSA ABLOY Dock-IN has a low energy consumption and a long life.

### Technical Data

Normal length 100 kN	2000, 2500, 3000, 3500, 4000, 4500 mm
Nominal length 150 kN	2000, 2500, 3000 mm
Normal width	2000, 2200 mm
Load capacity	100 kN (10 tonnes) 150 kN (15 tonnes)
Vertical working range 100 kN	
Rise above dock	up to 530 mm
Fall below dock	down to 440 mm
Vertical working range 150 kN	
Rise above dock	up to 460 mm
Fall below dock	down to 390 mm
Platform tear-plate thickness 100 kN	8/10 mm
Platform tear-plate thickness 150 kN	10/12 mm
Max. point load leveler platform	6,5 N / mm <sup>2</sup> (8 mm tear plate & 10 mm tear plate)
Lip material and length	steel, 500/1000 mm
Control unit protection class	IP 54
Temperature range hydraulic oil	-20°C - +60°C
European standard	EN 1398 Dock levelers

## Dimensions



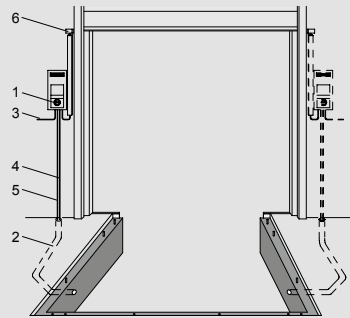
NL	Nominal length
OL	Overall length
GL	Gradient length
NW	Nominal width
LE	Lip extension
LH	Leveler height
A	Working range above dock level
B	Working range below dock level

Platform thickness	
Thickness	Max. point load
8 mm	6,5 N / mm <sup>2</sup>
10 mm	6,5 N / mm <sup>2</sup>

Dimensions				Vertical working range			
				LE 500		LE 1000	
NL	OL	GL	LH	A	B	A	B
2000	NL+LE	NL+(LE-150)	700	290	340	360	410
2500	NL+LE	NL+(LE-150)	700	280	340	330	390
3000	NL+LE	NL+(LE-150)	800	370	390	440	440
3500	NL+LE	NL+(LE-150)	900	440	380	510	420
4000	NL+LE	NL+(LE-150)	900	460	410	510	410
4500	NL+LE	NL+(LE-150)	900	480	480	530	400

Nominal width 2000, 2200

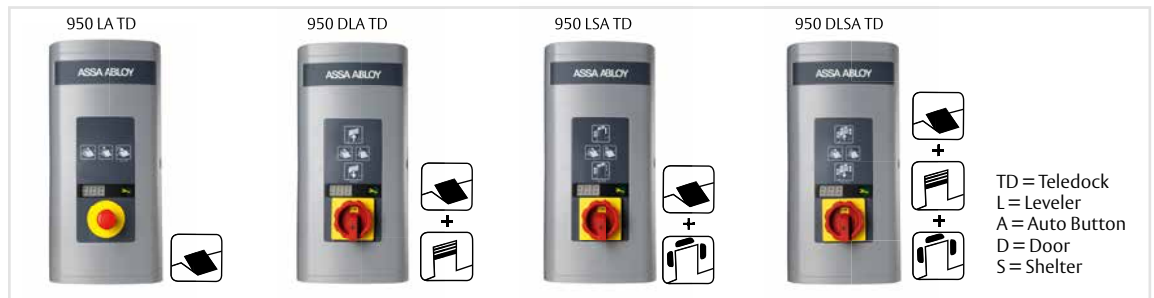
## Electrical preparations



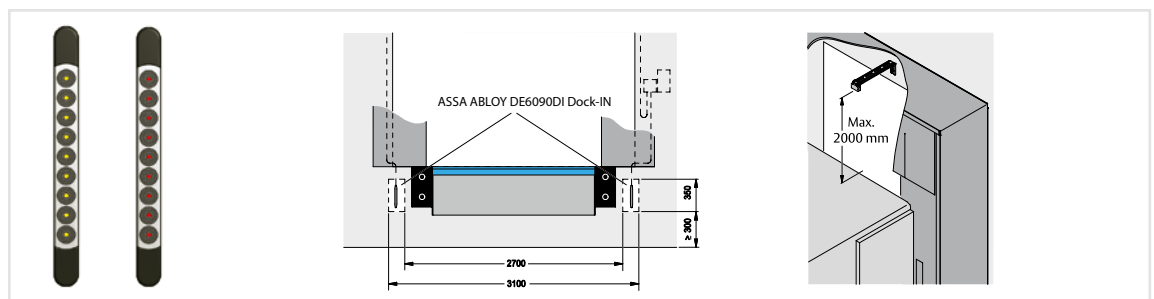
1	Control unit (included in the delivery)
2	Conduit for wiring internal diameter 70, angles <45° (by others)
3	Mains supply: 3 N / PE AC 50 Hz 230 / 400V Mains fuse: D0 10 A gL Motor power: 1,5 kW
4	Cable: 7 x 0,75 mm <sup>2</sup>
5	Motor cable: 4 x 1,5 mm <sup>2</sup>
6	Optional safety switch on sectional door to disable leveler when door is closed*

\*Non standard

## Operating functions for Tele lip levelers



## ASSA ABLOY DE6090DI Dock-IN



## Standard available colours

